

TECHNICAL DATA



TYPE

DOMINO flood sports light is a versatile, modular system that ranges from 600W to 1000W, with a single mode option of 300W. It has a high light efficiency of 150 lumens per watt and durable components made of aluminum alloy. The lenses are made of PC material for high transmittance and are protected by toughened glass.

CHARACTERISTICS

Chip: Lumileds 2835 70Ra

Nomial efficacy: 150Lm/W

Maximum LED: 1000mA

Lifetime L90B10:>100,000 hours

Luminous flux and efficacy at 5700°K and CRI>90

Luminous flux tolerance <+/-3%

Values may be subject to change du LED binning.

OPENING/BEAM

High efficiency Ra>80 LED. 90°

MATERIAL

Die-casting/High Thermal Conductivity AL

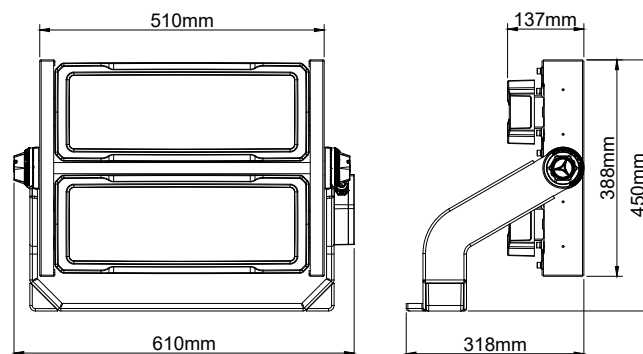
Finish: Powder coated Aluminum

Lens: Glass+Polycarbonate

Color: Black

Model:	Domino
Format:	Rectangular
Location:	Exterior
Wattage:	600W
Materials:	Aluminium
Led Color:	5700K
Product Dimension:	610*318*450mm
IP Code:	66
Fixation:	Surface
CRI :	90
Lumen Output:	90000LM
Frequency:	50/60 Hz
Beam Angle:	90°
Weight:	15.4 Kgs

DIMENSION DRAW



OUTDOOR